

Weights

Operating weight with ROPS cab with heating, rubber tracks, counterweight, 610 mm bucket (SAE J732) and clamp	5501 kg
Additional weight for long dipperstick	115 kg
Ground pressure with rubber tracks	33.50 kPa

Engine

Make / model	Kubota / V2403-M-D1-TE3B-BC-4
Fuel	Diesel
Number of cylinders	4
Displacement	2433 cm ³
Maximum NET power (ISO 9249)	35.4 kW
Maximum NET torque (ISO 9249)	179.5 Nm

Performance

Digging force, dipperstick (ISO 6015)	26100 N
Digging force, bucket (ISO 6015)	42000 N
Drawbar pull	52343 N
Travel speed, low range	3.1 km/h
Travel speed, high range	5.0 km/h

Hydraulic System

Pump type	Single outlet variable displacement, load sensing torque limited pump
Pump capacity	138.50 L/min
Auxiliary flow	75.70 L/min
Auxiliary relief	210.0 bar

Slew System

Boom swing, left	75°
Boom swing, right	50°
Slew rate	9.0 RPM

Fluid Capacities

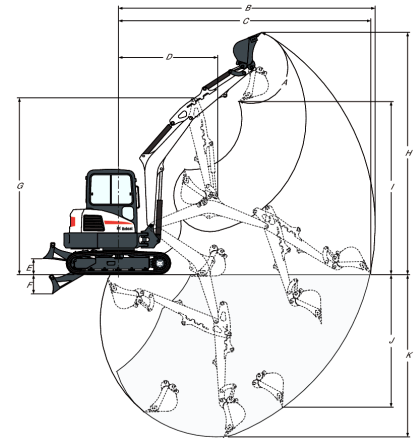
Cooling system	8.30 L
Engine lubrication plus oil filter	7.10 L
Fuel reservoir	79.90 L
Hydraulic system	54.90 L

Environmental

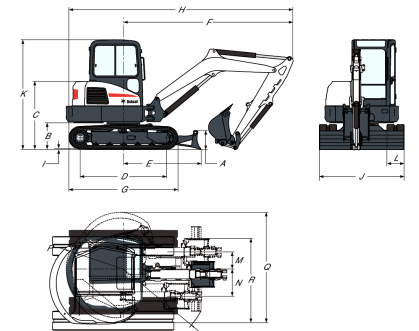
Noise level LpA(EU Directive 2006/42/EC)	77 dB(A)
Noise level LWA(EU Directive 2000/14/EC)	97 dB(A)

Standard Features

Warranty: 12 months, 2000 hours (whichever occurs first)	Blade float feature
1960 mm dozer blade	Cab light
400 mm rubber track	Clamp ready
Auto idle	Control console locks
Auto shift travel	Cupholder
Auxiliary hydraulics with Quick Couplers	Engine/hydraulic monitor with shutdown

Working Range


(A) 185°	(G) 4269.0 mm
(B) 6191.0 mm	(H) 5850.0 mm
(C) 6083.0 mm	(I) 4179.0 mm
(D) 2389.0 mm	(J) 3199.0 mm
(E) 385.0 mm	(K) 3923.0 mm
(F) 465.0 mm	

Dimensions


(A) 446.0 mm	(J) 1960.0 mm
(B) 618.0 mm	(K) 2541.0 mm
(C) 1575.0 mm	(L) 400.0 mm
(D) 1998.0 mm	(M) 394.0 mm
(E) 1796.0 mm	(N) 631.0 mm
(F) 3872.0 mm	(O) 2041.0 mm
(G) 3057.0 mm	(P) 1322.0 mm
(H) 5194.0 mm	(Q) 2290.0 mm
(I) 25.0 mm	(R) 1949.0 mm

Options

Rubber tracks	Third auxiliary hydraulic line (Clamshell Piping)
2nd Auxiliary hydraulics	Long dipperstick